



SUPPLY line



2.2

Type 90

Safety cabinets for active storage of drums





SUPPLY line

for active storage of drums

Type 90

A certified system solution.

Fire resistance (FR) of 90 minutes.

Safety cabinets with classical wing door technology for active storage of drums in accordance with TRbF and TRGS. Safe media supply and integration in process chain.

2.2

Tested safety at a high level including:



Tested safety at a high level including:

- Type testing according to DIN EN 14470-1 and DIN EN 14727 by recognised test institutes (TÜV Süd, iBMB Braunschweig).
- Classification Type 90 in accordance with DIN EN 14470-1.
- Fulfils the safety-related requirements of TRbF 30 for filling and transfer stations.
- Classification of the hazard area zones according to DIN EN 60079-10.
- GS/CE mark.
- High-Quality mark of approval for upper level style, user-friendliness and increased lifetime.

Construction:

- Wing doors sheet steel, conductive powder-coated.
- Outer carcass sheet steel, conductive powder-coated.
- Inner carcass made from high-quality decor panels.

Interior fittings:

- Bottom tray in sheet steel powder-coated and galvanised grating.
- Optional heavy load drawer with safety locking for 200-litre drums, conductive, in gentian blue (similar to RAL 5010).

Colour:

- Wing doors optionally in gentian blue (similar to RAL 5010) or light grey (similar to RAL 7035).
- Complete carcass in light grey (similar to RAL 7035).



Ventilation at every cabinet level, ability to visually check the venting cut-off flaps.



Ergonomic lock positioning at handle height and lock system compatible lock cylinder integrated in the door.



System with certificate

TÜV tested system solution including GS mark.

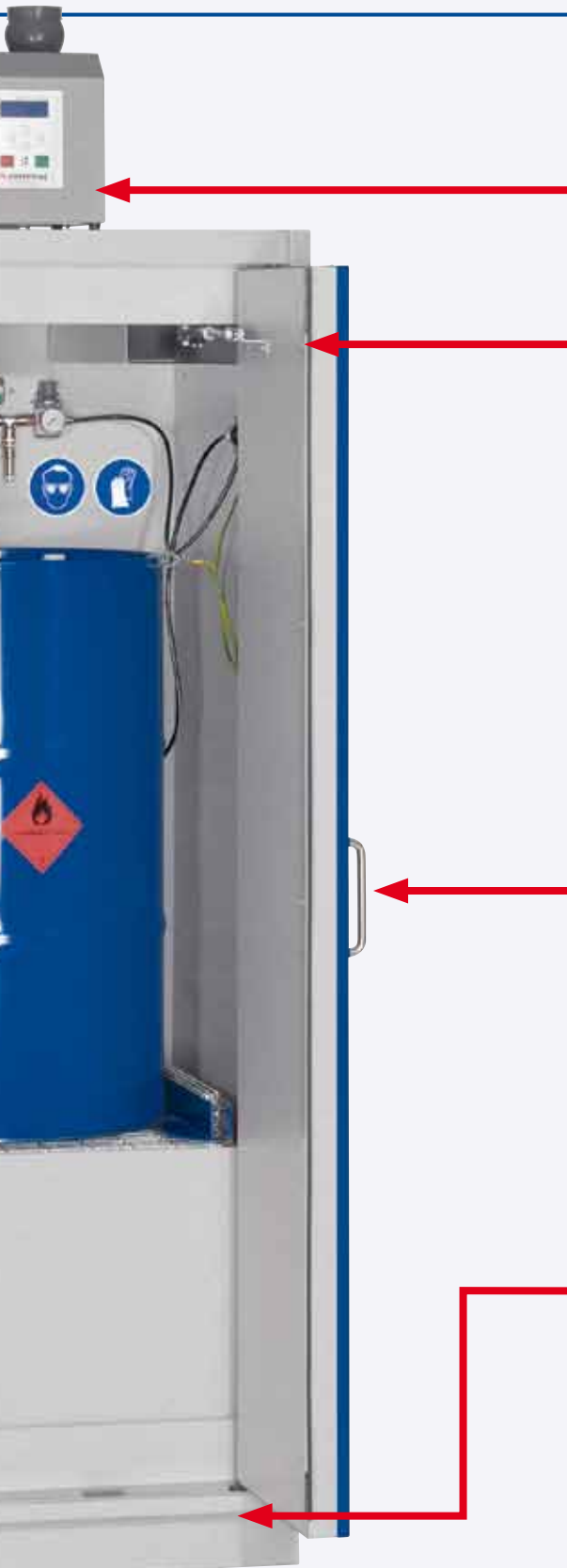




active storage

in detail

2.2



Doors with standard integrated arrest system, enabling drums to be safely placed in and removed from the cabinet. In case of fire, the thermocouple initiates the closing of the doors automatically.



Standard integrated exhaust monitoring unit optional with and without ventilator.



Single-handed operation of the easy-moving doors.



Standard equipotential bonding saddles on the roof of the cabinet for connecting to the earthing in accordance with TRBS 2153, BGR 132 (avoiding ignition hazards). The interior fittings are conductively connected with the equipotential bonding saddles.



Cabinet with accessible base. Adjustable bases with extra large bearing surface for easy alignment and level adjustment.



Easy loading and unloading of the drum station with 200-litre drum due to heavy load drawer, with max. load-bearing capacity 250 kg. Heavy load drawer with safety locking - see page 166.



SUPPLY - Safety cabinets for drums

Type 90

2.2



Easy loading and unloading of 200-litre drum with easy moving heavy load drawer (optional), load-bearing capacity 250 kg.



Safety locking prevents uncontrolled activation of the heavy load drawer (optional).



After remove the base with drum lifter 1.31.045* the drum cabinet is accessible (afterwards it is necessary to assemble the base).



Easy removal of the base cladding of all SUPPLY XXL models thanks to handle.

easy handling

Heavy load drawer can be optimally used in conjunction with the drum lifter



Loading and unloading possible using drum grippers and available fork lift truck





SUPPLY line - Safety cabinets for drums

certified system solution



up to 60-litre drums

SUPPLY - Drum cabinet LL
Version LL 1



up to 200-litre drum

SUPPLY - Drum cabinet LL
Version LL 2



up to 200-litre drums

SUPPLY - Drum cabinet XXL
Version XXL 3

DIN EN 14470-1 TRbF 30



DIN EN 14727 LABORATORY FURNITURE STANDARD

DIN EN 60079-10

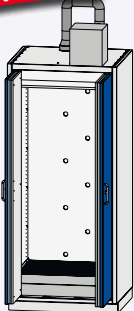
2.2



SUPPLY LL

2.2.1 SUPPLY LL - Version LL 1 **60-l drums** **ibMB** **MPA** **TUV 500** **GS** **TUV 500** **DIN EN** **CE**

New!
DUEPERTHAL



SUPPLY LL - Version LL 1 incl. exhaust monitoring unit with:

- 1 bottom tray for 60-l drums with grating,
- 2 earthing cables with terminals and base

Ref. no.

- **with ventilator** (model 2.00.320 - see page 224)

49-200970-017

- **without ventilator** (model 2.00.360 - see page 225)

49-200970-018

Accessories

(fig. see page 169)

Ref. no.

- Compressed-air media pump - explosion-proof (set)

50-70000-052

- Drum wrench, page 254

1.808.05

- Pipe-, cable- and hose penetration (re-sealable)

29-70000-045

- Pipe-, cable- and hose penetration

49-70000-048

- Red-Box

2.233.04

- Absorber

from page 275

Dimensions and weight

		Outer	Inner
Width	in mm	895	799
Depth	in mm	745	595
Height	in mm	2080	1535
Weight	in kg	432	

For further technical details see page 170 to 171.

Max. storage capacity/standing surface

Quantity	Type of container	Size
2	Drum	50/60 litre

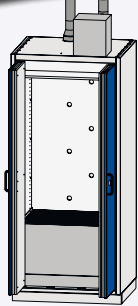


2.2.2 SUPPLY LL - Version LL 2

200-l drum

iBMB MIPA TÜV GS TÜV DIN EN CE

New!
DUEPERTHAL



SUPPLY LL - Version LL 2 incl. exhaust monitoring unit with:

1 bottom tray for 200-l drum with grating,
2 earthing cables with terminals and base

Ref. no.

- **with ventilator** (model 2.00.320 - see page 224)

49-200970-037

- **without ventilator** (model 2.00.360 - see page 225)

49-200970-038

Accessories

(fig. see page 169)

Ref. no.

- Heavy load drawer with safety locking for 200-l drum,
load-bearing capacity 250 kg 49-80970-069

- Drum lifter with quick lift, load-bearing capacity 300 kg, page 261 1.31.045*

- Compressed-air media pump - explosion-proof (set) 50-70000-052

- Drum wrench, page 254 1.808.05

- Pipe-, cable- and hose penetration (re-sealable) 29-70000-045

- Pipe-, cable- and hose penetration 49-70000-048

- Red-Box 2.233.04

- Absorber from page 275

Dimensions and weight

		Outer	Inner
Width	in mm	895	799
Depth	in mm	745	595
Height	in mm	2080	1200
Weight	in kg	444	

For further technical details see page 170 to 171.

Max. storage capacity/standing surface

Quantity	Type of container	Size
2	Drum	50/60 litre
1	Drum	200 litre

2.2



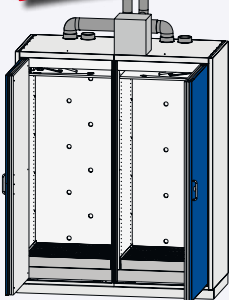
SUPPLY XXL

2.2.3 SUPPLY XXL - Version XXL 1

60-l drums

iBMB MIPA TÜV GS TÜV DIN EN CE

New!
DUEPERTHAL



SUPPLY XXL - Version XXL 1 incl. exhaust monitoring unit with:

2 bottom trays for 60-l drums with grating,
4 earthing cables with terminals and base

Ref. no.

- **with ventilator** (model 2.00.320 - see page 224)

49-201773-017

- **without ventilator** (model 2.00.360 - see page 225)

49-201773-018

Accessories

(fig. see page 169)

Ref. no.

- Compressed-air media pump - explosion-proof (set) 50-70000-052

- Drum wrench, page 254 1.808.05

- Pipe-, cable- and hose penetration (re-sealable) 29-70000-045

- Pipe-, cable- and hose penetration 49-70000-048

- Red-Box 2.233.04

- Absorber from page 275

Dimensions and weight

		Outer	Inner
Width	in mm	1655	2x 744
Depth	in mm	745	2x 595
Height	in mm	2080	1515
Weight	in kg	861	

For further technical details see page 170 to 171.

Max. storage capacity/standing surface

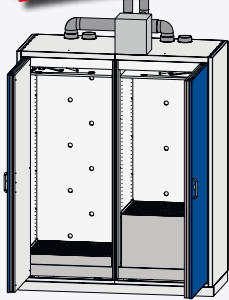
Quantity	Type of container	Size
2	Drum	50/60 litre

2.2.4 SUPPLY XXL - Version XXL 2

60-/200-l drums

iBMB MIPA TÜV GS TÜV DIN EN CE

New!
DUEPERTHAL



SUPPLY XXL - Version XXL 2 incl. exhaust monitoring unit with:

1 bottom tray for each 60-l drums/left, 1 bottom tray for one
200-l-drum/right each with grating and base

Ref. no.

- **with ventilator** (model 2.00.320 - see page 224)

49-201773-047

- **without ventilator** (model 2.00.360 - see page 225)

49-201773-048

Accessories

(fig. see page 169)

Ref. no.

- Heavy load drawer with safety locking for 200-l drum,
load-bearing capacity 250 kg 49-80970-069

- Drum lifter with quick lift, load-bearing capacity 300 kg, page 261 1.31.045*

- Drum gripper, load-bearing capacity 350 kg, page 262 1.31.103*

- Compressed-air media pump - explosion-proof (set) 50-70000-052

- Drum wrench, page 254 1.808.05

- Pipe-, cable- and hose penetration (re-sealable) 29-70000-045

- Pipe-, cable- and hose penetration 49-70000-048

- Red-Box 2.233.04

- Absorber from page 275

Dimensions and weight

		Outer	Inner
Width	in mm	1655	2x 744
Depth	in mm	745	2x 595
Height	in mm	2080	L-1515 R-1155
Weight	in kg	873	

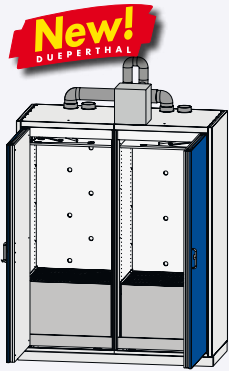
For further technical details see page 170 to 171.

Max. storage capacity/standing surface

Quantity	Type of container	Size
2	Drum	50/60 litre
1	Drum	200 litre



2.2.5 SUPPLY XXL - Version XXL 3 200-l drums - iBMB MPA TU BRAUNSCHWEIG TÜV GS TÜV DIN EN CE



SUPPLY XXL - Version XXL 3 incl. exhaust monitoring unit with:

2 bottom trays for 200-l drums with grating,
4 earthing cables with terminals and base

Ref. no.

- with ventilator (model 2.00.320 - see page 224)

49-201773-037

- without ventilator (model 2.00.360 - see page 225)

49-201773-038

Accessories

(fig. see page 169)

Ref. no.

- Heavy load drawer with safety locking for 200-l drum,
load-bearing capacity 250 kg

49-80970-069

- Drum lifter with quick lift, load-bearing capacity 300 kg, page 261

1.31.045*

- Drum gripper, load-bearing capacity 350 kg, page 262

1.31.103*

- Compressed-air media pump - explosion-proof (set)

50-70000-052

- Drum wrench, page 254

1.808.05

- Pipe-, cable- and hose penetration (re-sealable)

29-70000-045

- Pipe-, cable- and hose penetration

49-70000-048

- Red-Box

2.233.04

- Absorber

from page 275

Dimensions and weight

		Outer	Inner
Width	in mm	1655	2x 744
Depth	in mm	745	2x 595
Height	in mm	2080	1155
Weight	in kg	885	

For further technical details see page 170 to 171.

Max. storage capacity/standing surface

Quantity	Type of container	Size
2	Drum	50/60 litre
1	Drum	200 litre

2.2



Accessories - SUPPLY line safety cabinets for drums



MediaManagement

System for the functional utilisation of resources and working materials - see page 192.



Pipe penetration

for stainless steel pipes, cables and hoses - up to Ø 28 mm possible. Flush mount, variable and re-sealable. Please contact us.



Pipe penetration

for stainless steel pipes, cables and hoses - up to Ø 28 mm possible. Please contact us.



Red-Box

to keep documents directly safe at the point of use.



Heavy load drawer

with safety locking for 200-l drums, conductive, in gentian blue (similar RAL 5010), see page 166.



Drum-lifter

for picking up and transporting 200-l drums. Optionally used in conjunction with heavy load drawer, see page 166.



Drum gripper

for fork-lift truck to lift 200-l drums, see page 166.



Absorber cloths

for rapidly mop up a wide range of spilled hazardous substances.



Technical specification - SUPPLY line - drum cabinets

Technical details:

			Model size				
			LL 1	LL 2	XXL 1	XXL 2	XXL 3
Load bearing capacity with uniformly distributed load (maximum loadability/shelf)	in kg	Shelf	75	75	75	75	75
		Heavy load drawer	250	250	250	250	250
		Grating	250	250	250	250	250
Maximum volume of the largest individual container which may be stored in the cabinet	in l	Left side	60	200	60	60	200
		Right side			60	200	200
Collection volume of the bottom tray	in l	Left side	66	220	66	66	220
		Right side			66	220	220
Volumetric flow rate for 10-fold air exchange	in approx. m ³ /h		10	10	20	20	20
Required extraction flow rates for filling and transferring (active storage*)	in approx. m ³ /h		>21	>21	>42	>42	>42
Pressure drop in the cabinet	in Pa.		<1	<1	<1	<1	<1

* Note!

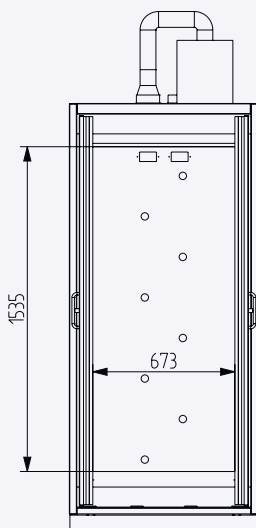
The continuously upcoming (24h) exhaust air stream of the installation must be monitored during filling and transferring (active storage), to detect failure of the required air stream and to at least trigger an alarm.

Zoning:

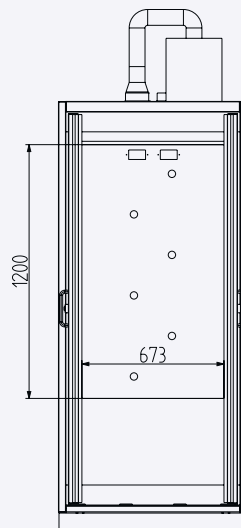
When the required extraction volume flow is complied with, in general the ratio to the filling volume flow is sufficient, so that the lower explosion limit (UEG) is exceeded for a short time only. Therefore, hazard area zone 2 can be expected inside the cabinet. The SUPPLY line must be considered together with the application within the scope of the risk analysis. It may be necessary to adjust the hazard area zones and/or exhaust volume flow.

Interior dimensions:

SUPPLY LL 1



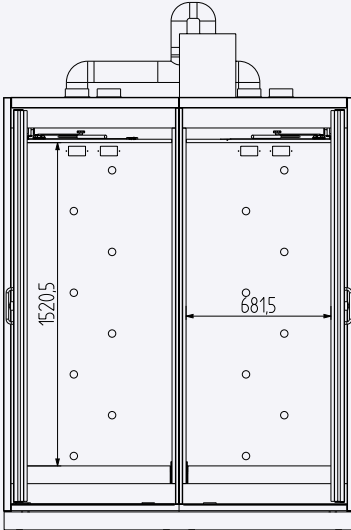
SUPPLY LL 2



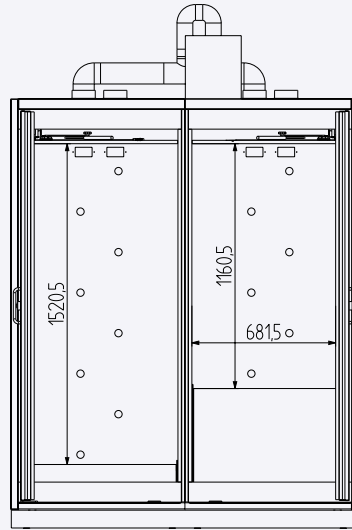


Interior dimensions:

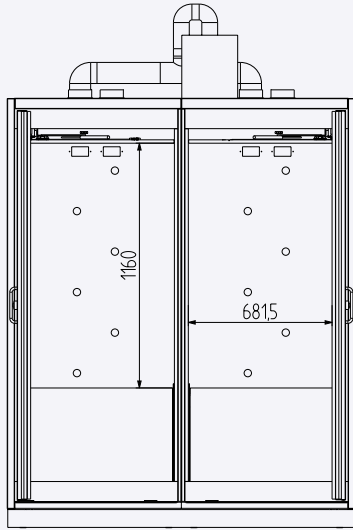
SUPPLY XXL 1



SUPPLY XXL 2



SUPPLY XXL 3

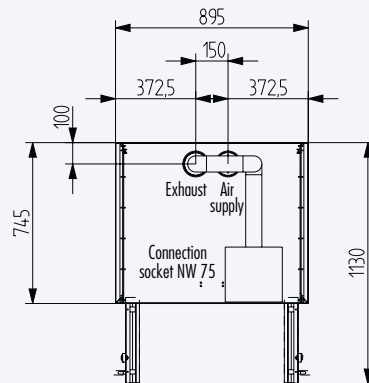
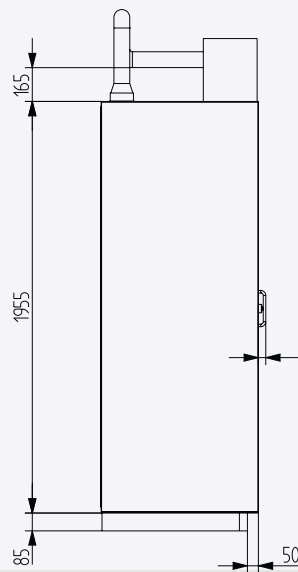
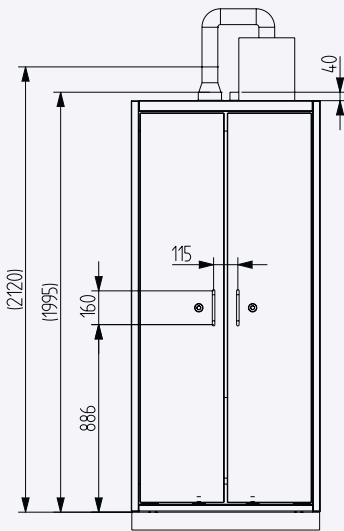


Front view

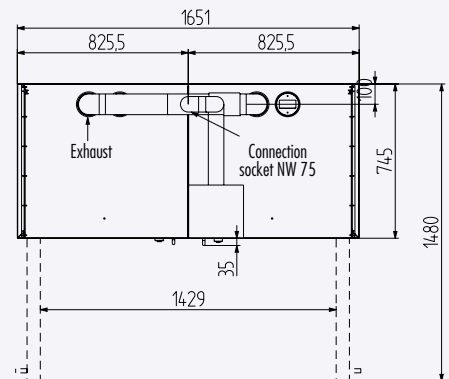
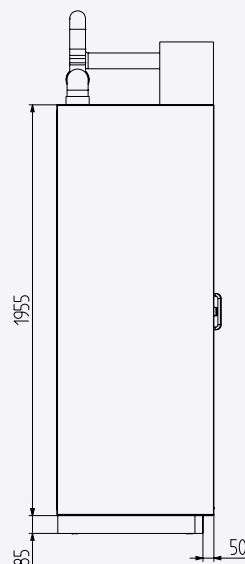
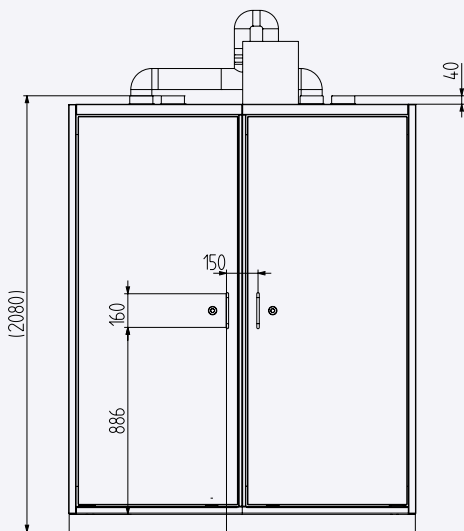
Side view

Top view

SUPPLY LL



SUPPLY XXL



2.2